



# Heavy Duty Engine Cranes

## Engine Cranes

Polished ram plunger and cylinder protecting seals from abrasion.

Built-in safety valve ensuring operating safety against overloading.

Patented hydraulic bypass system preventing ram plunger from over-traveling.

Foldable models, offering retractable front legs and lifting boom for easy storage.

Heavy duty welded construction with rugged reinforced tubular steel.

All optional hydraulic long jacks are available for replacement. Please see page 31 for details.



**44005**  
500 KG Capacity  
(not shown)

**44015**  
1000 KG Capacity

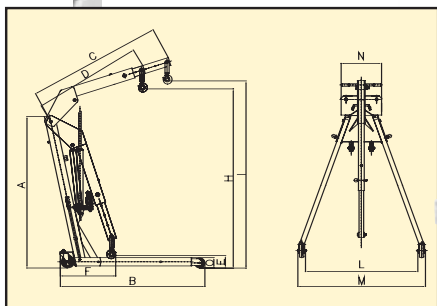
## Equalizer Optional



**90150**  
600 KG Capacity



**44020**  
2 Ton Capacity



Model	A (mm)	B (mm)	C (mm)	D (mm)	E (mm)	F (mm)	H (mm)	I (mm)	L (mm)	M (mm)	N (mm)	O (mm)	N.W. (KG)	Pieces Carton	G.W. (KG)	CBM/CTN	Pieces/20'CY
44005	1440	1207	1285	925	125	540	1750	1890	838	940	325	125	60.0	1	65.0	0.167	90
44015	1460	1470	1330	930	-	570	1930	2145	1018	1120	370	125	81.0	1	87.0	0.190	90
44020	1350	2305	1870	1195	95	1725	1760	2215	735	860	1350	125	105.0	1	110.5	0.180	120